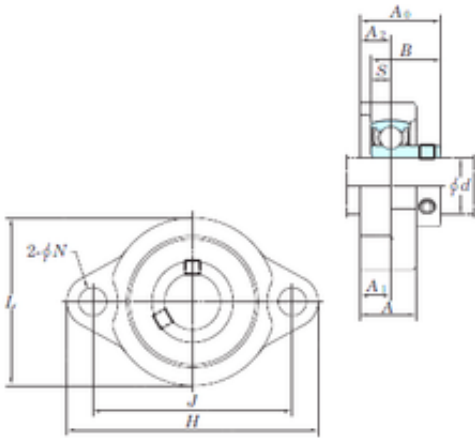




YIFEN MACHINERY BEARING CO., LTD.

KOYO BLF206-19 bearing units

Bearing No. BLF206-19



BLF206-19 Bearing 2D drawings and 3D CAD models

Bore Diameter	30,1625 mm
d	30,1625 mm
A0	34 mm
A	22,5 mm
A1	12 mm
B	30 mm
H	113 mm
J	90,5 mm
L	76 mm
N	12 mm
S	8 mm
Bolt (G)	M10
A2	12 mm
Weight	0,57 Kg
Basic dynamic load rating (C)	19,5 kN
Basic static load rating (C0)	11,3 kN