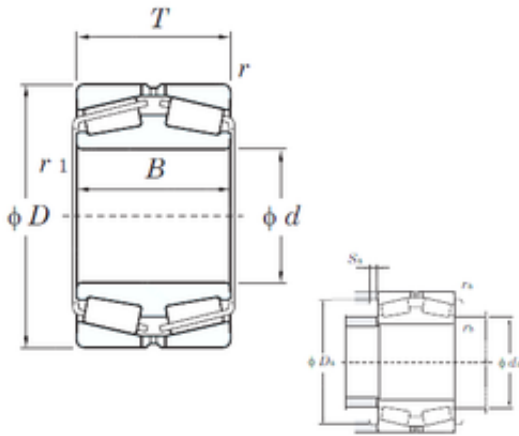




YIFEN MACHINERY BEARING CO., LTD.

460 mm x 680 mm x 163 mm KOYO 45292 tapered roller bearings

Bearing No. 45292



45292 Bearing 2D drawings and 3D CAD models

| | |
|-------------------------------|----------------|
| Size | 460x680x163 mm |
| Bore Diameter | 460 mm |
| Outer Diameter | 680 mm |
| Width | 163 mm |
| d | 460 mm |
| D | 680 mm |
| T | 163 mm |
| B | 163 mm |
| r min. | 6 mm |
| r1 min. | 6 mm |
| da max | 510 mm |
| Db min. | 616 mm |
| ra max. | 5 mm |
| rb max. | 5 mm |
| Db max | 652 mm |
| Weight | 197 Kg |
| Basic dynamic load rating (C) | 3000 kN |
| Basic static load rating (C0) | 5660 kN |
| (Grease) Lubrication Speed | 280 r/min |
| (Oil) Lubrication Speed | 370 r/min |
| Calculation factor (e) | 0,39 |
| Calculation factor (Y0) | 1,7 |
| Bearing No. | 45292 |
| r(min) | 6 |
| r1(min) | 6 |



YIFEN MACHINERY BEARING CO., LTD.

| | |
|-------------------|------|
| Cr | 3480 |
| C0r | 5660 |
| Cu | 265 |
| Grease lub. | 280 |
| Oil lub. | 370 |
| da(max) | 510 |
| Da(max) | 652 |
| Da(min) | 616 |
| Sa(min) | 6 |
| ra(max) | 5 |
| rb(max) | 5 |
| e | 0.39 |
| Y2 | 1.74 |
| Y3 | 2.59 |
| Y0 | 1.70 |
| (Refer.) Mass(kg) | 197 |