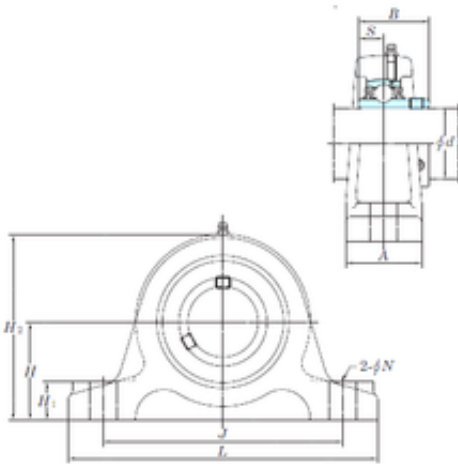




# YIFEN MACHINERY BEARING CO., LTD.

## KOYO UCIP320-64 bearing units

Bearing No. UCIP320-64



UCIP320-64 Bearing 2D drawings and 3D CAD models

|                               |          |
|-------------------------------|----------|
| Bore Diameter                 | 101,6 mm |
| Width                         | 108 mm   |
| d                             | 101,6 mm |
| A                             | 85 mm    |
| B                             | 108 mm   |
| H                             | 150 mm   |
| H1                            | 45 mm    |
| H2                            | 295 mm   |
| J                             | 360 mm   |
| L                             | 430 mm   |
| N                             | 29 mm    |
| S                             | 42 mm    |
| Bolt (G)                      | M27      |
| Weight                        | 36,9 Kg  |
| Basic dynamic load rating (C) | 173 kN   |
| Basic static load rating (C0) | 141 kN   |