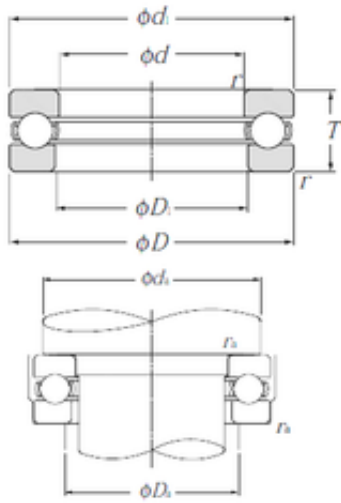




YIFEN MACHINERY BEARING CO., LTD.



NTN 51420 thrust ball bearings

Bearing No. 51420

Size	100x210x85 mm
Bore Diameter	100 mm
Outer Diameter	210 mm
Width	85 mm
d	100 mm
D	210 mm
T	85 mm
d1	205 mm
r min.	3 mm
D1	103 mm
da min.	165 mm
Da max.	145 mm
ra max.	2,5 mm
Weight	14,7 Kg
Basic dynamic load rating (C)	370 kN
Basic static load rating (C0)	970 kN
(Grease) Lubrication Speed	710 r/min

51420 Bearing 2D drawings and 3D CAD models