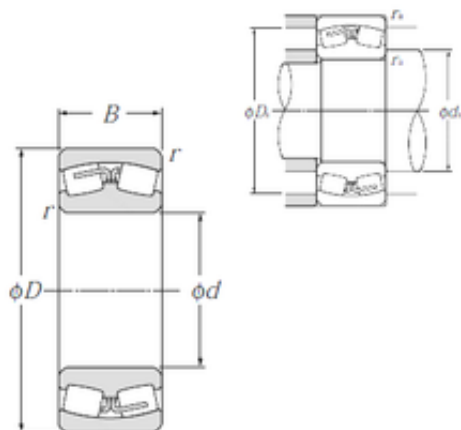




# YIFEN MACHINERY BEARING CO., LTD.

300 mm x 540 mm x 140 mm NTN 22260B  
spherical roller bearings



Bearing No. 22260B

22260B Bearing 2D drawings and 3D CAD models

Size	300x540x140 mm
Bore Diameter	300 mm
Outer Diameter	540 mm
Width	140 mm
d	300 mm
D	540 mm
B	140 mm
C	140 mm
r min.	5 mm
da min.	322 mm
Da max.	518 mm
ra max.	4 mm
Weight	141 Kg
Basic dynamic load rating (C)	2 670 kN
Basic static load rating (C0)	4 350 kN
(Grease) Lubrication Speed	720 r/min
(Oil) Lubrication Speed	930 r/min
Calculation factor (e)	0,26
Calculation factor (Y0)	2,51
Calculation factor (Y1)	2,57
d2	380 mm
D1	468.9 mm
rs min	5 mm
Number of lubrication holes	8
b	20 mm



## YIFEN MACHINERY BEARING CO., LTD.

k	12 mm
e	0.26
Y1	2.57
Y2	3.83
Y0	2.51
Radial clearance class	CN
Dynamic load, C	2,670 kN
Static load, C0	4,350 kN
Fatigue limit load, Cu	363 kN
Nref	900 rpm
Nlim	1,100 rpm
Min operating temperature, Tmin	-40 ° C
Max operating temperature, Tmax	120 ° C
Characteristic cage frequency, FTF	0.43 Hz
Characteristic rolling element frequency, BSF	7.03 Hz
Characteristic outer ring frequency, BPF0	8.19 Hz
Characteristic inner ring frequency, BPFI	10.81 Hz
da min	320 mm
Da max	520 mm
ra max	4 mm
Category	Bearings
Inventory	0.0
Manufacturer Name	NTN
Minimum Buy Quantity	N/A
Weight / Kilogram	141
EAN	4547359268188
Product Group	B04311