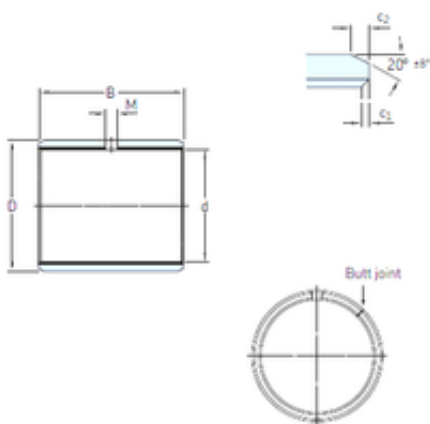




YIFEN MACHINERY BEARING CO., LTD.



20 mm x 23 mm x 30 mm SKF PCM 202330 E
plain bearings

Bearing No. PCM 202330 E

Size	20x23x30 mm
Bore Diameter	20 mm
Outer Diameter	23 mm
Width	30 mm
d	20 mm
D	23 mm
B	30 mm
c1 min	0,1 mm
c2 min	0,2 mm
M	– mm
Weight	0,023 Kg
Basic dynamic load rating (C)	46,5 kN
c ₁ min.	0.1 mm
c ₁ max.	0.7 mm
c ₂ min.	0.2 mm
c ₂ max.	1 mm
± 8	20 °
Tolerance shaft	f7
Tolerance housing	H7
Basic dynamic load rating - radial direction C	46.5 kN
Basic static load rating - radial direction C ₀	146 kN
Specific dynamic load factor K	80 N/mm ²
Specific static load factor K ₀	250 N/mm ²

PCM 202330 E Bearing 2D drawings and 3D CAD models



YIFEN MACHINERY BEARING CO., LTD.

Factor depending on material and bearing type K_M	480
Permissible sliding velocity v min.	0 m/s
Permissible sliding velocity v max.	2 m/s
Coefficient of friction μ min.	0.03
Coefficient of friction μ max.	0.25
Mass bushing	0.023 kg