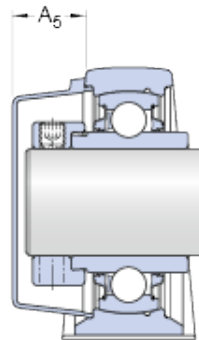
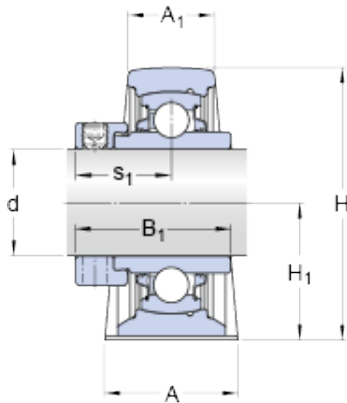




YIFEN MACHINERY BEARING CO., LTD.



SKF SY 25 WDW bearing units

Bearing No. SY 25 WDW

Size	25x36x22 mm
Bore Diameter	25 mm
Outer Diameter	36 mm
Width	22 mm
d	25 mm
A	36 mm
A ₁	22 mm
A ₅	18 mm
B ₁	44.4 mm
H	70 mm
H ₁	36.5 mm
H ₂	16 mm
J	102 mm
J - max.	110 mm
J - min.	94 mm
L	130 mm
H	19.5 mm
N ₁	11.5 mm
s ₁	26.9 mm
J ₆	120 mm
J ₇	13 mm
N ₄	4 mm
Basic dynamic load rating - C	14 kN
Basic static load rating - C ₀	7.8 kN

SY 25 WDW Bearing 2D drawings and 3D CAD models



YIFEN MACHINERY BEARING CO., LTD.

Fatigue load limit - P_u	0.335 kN
Limiting speed	1500 r/min
Weight	0.76 kg
Hexagonal key size for grub screw - H	3 mm
Housing material	Cast iron
A_1	22 mm
A_5	18 mm
B_1	44.4 mm
H_1	36.5 mm
H_2	16 mm
J max.	110 mm
J min.	94 mm
N	19.5 mm
N_1	11.5 mm
s_1	26.9 mm
J_6	120 mm
J_7	13 mm
N_4	4 mm
Basic dynamic load rating C	14 kN
Basic static load rating C_0	7.8 kN
Fatigue load limit P_u	0.335 kN
Mass bearing unit	0.76 kg
Thread grub screw G_2	M6x0.75
Hexagonal key size for grub screw N	3 mm
Recommended tightening torque for grub screw	4 N · m
Recommended diameter for attachment bolts, mm G	10 mm
Recommended diameter for attachment bolts, inch G	0.375 in
Housing	SY 505 M/VZ033
Bearing	YELAG 205



YIFEN MACHINERY BEARING CO., LTD.

End cover

ECY 205