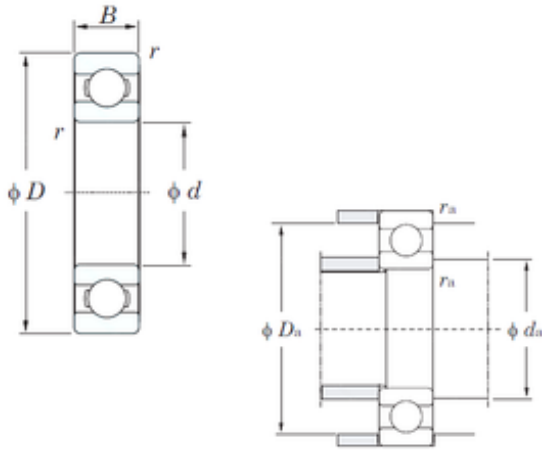




# YIFEN MACHINERY BEARING CO., LTD.



6200 Bearing 2D drawings and 3D CAD models

Koyo NTN SKF Timken 6200 6201 6202 6203  
 6204 6205 6206 6207 6208 6209 6210  
 Open/Zz/RS/2RS Pillow Block Deep Groove Ball  
 Bearing

Bearing No. 6200

Size	10x30x9 mm
Bore Diameter	10 mm
Outer Diameter	30 mm
Width	9 mm
d	10 mm
D	30 mm
B	9 mm
C	9 mm
r min.	0,6 mm
da min.	14 mm
Da max.	26 mm
ra max.	0,6 mm
Weight	0,032 Kg
Basic dynamic load rating (C)	5,1 kN
Basic static load rating (C0)	2,4 kN
(Grease) Lubrication Speed	24000 r/min
(Oil) Lubrication Speed	29000 r/min
Category	Single Row Ball Bearings
Inventory	0.0
Manufacturer Name	KOYO
Minimum Buy Quantity	N/A
Weight / Kilogram	0.035
Product Group	B00308



## YIFEN MACHINERY BEARING CO., LTD.

Enclosure	Open
Precision Class	ABEC 1   ISO P0
Maximum Capacity / Filling Slot	No
Rolling Element	Ball Bearing
Snap Ring	No
Internal Special Features	No
Cage Material	Steel
Internal Clearance	C0-Medium
Inch - Metric	Metric
Long Description	10MM Bore; 30MM Outside Diameter; 9MM Outer Race Diameter; Open; Ball Bearing; ABEC 1   ISO P0; No Filling Slot; No Snap Ring; No Internal Special Features
Category	Single Row Ball Bearing
UNSPSC	31171504
Harmonized Tariff Code	8482.10.50.68
Noun	Bearing
Keyword String	Ball
Manufacturer URL	<a href="http://www.koyousa.com">http://www.koyousa.com</a>
Manufacturer Item Number	6200
Weight / LBS	0.076
Outer Race Width	0.354 Inch   9 Millimeter
Bore	0.394 Inch   10 Millimeter
Outside Diameter	1.181 Inch   30 Millimeter
Bearing No.	6200
r(min)	0.6
Cr	6.40
C0r	2.40
Cu	0.120
f0	13.2



## YIFEN MACHINERY BEARING CO., LTD.

Grease lub.	24000
Oil lub.	29000
da(min)	14
Da(max)	26
ra(max)	0.6
(Refer.)Mass(kg)	0.032